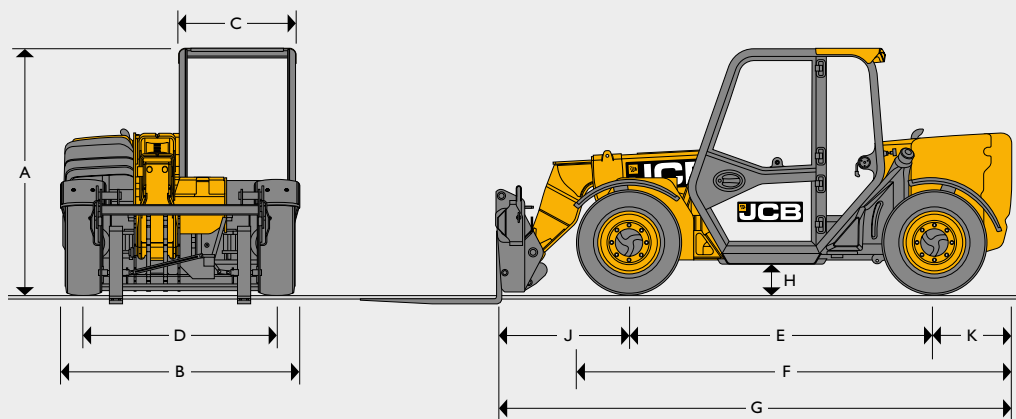


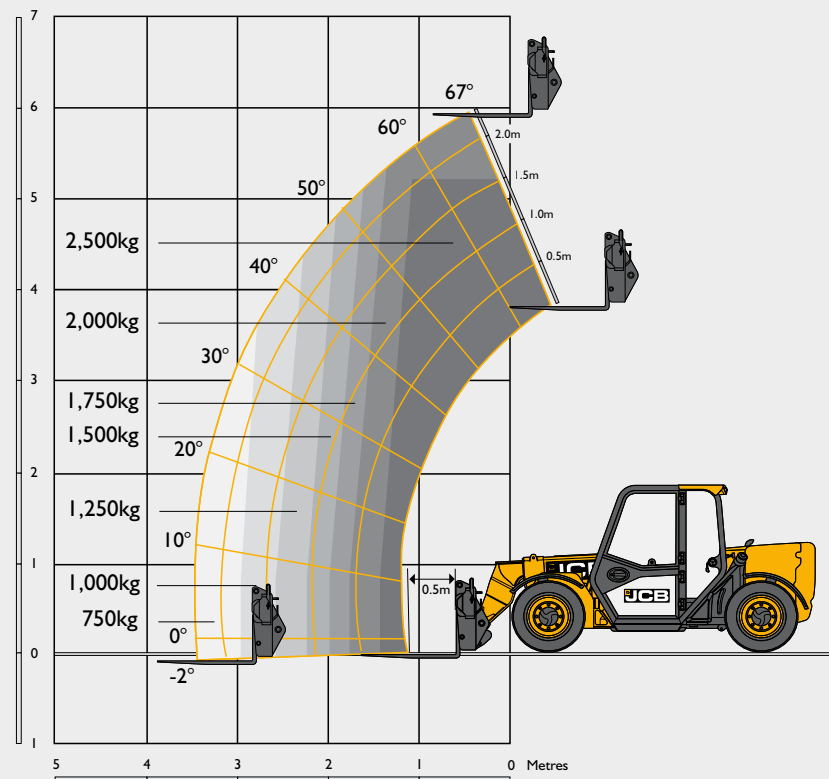
STATIC DIMENSIONS



Machine model		525-60 Hi-Viz
A Overall height*	m	1.89
B Overall width (over tyres)*	m	1.84
C Inside width of cab	m	0.88
D Front track	m	1.53
E Wheelbase	m	2.39
F Overall Length to front tyres	m	3.38
G Overall length to front carriage	m	4
H Ground clearance	m	0.23
J Front wheel centre to carriage	m	1.02
K Rear wheel centre to rear face	m	0.6
Carriage roll back angle at ground	degrees	11
Carriage dump angle at max height	degrees	114
Weight	kg	5490
Tyres	industrial	12x16.5

* Dependant upon tyre specified.

LIFT PERFORMANCE



Machine model		525-60 Hi-Viz
Maximum lift capacity	kg	2500
Lift capacity to full height	kg	2000
Lift capacity at full reach	kg	800
Maximum lift height	mm	6000
Reach at max. lift height	mm	-150
Maximum forward reach	mm	3060
Reach with 1 tonne payload	mm	3000

Complies with stability test EN 1459 Annex B.